

Specification big bags

Stock bags

Date 27.10.2015
Our article no.: 31333i

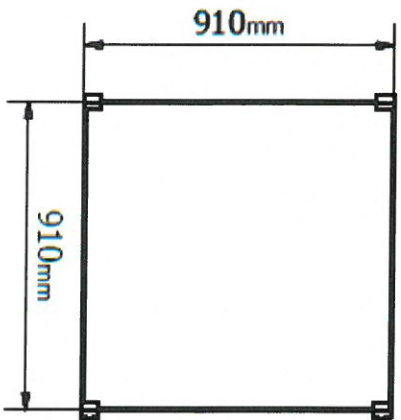
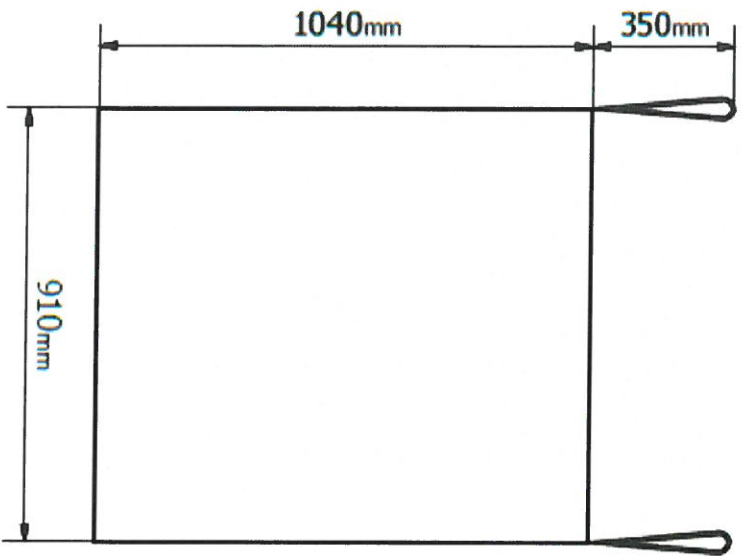
In compliance to ISO 21898

Classification: Type A
SWL: 1000kg
SF: 5:1
UV: Yes
Outer size: 91x91x104 cm
Fabric: Uncoated
Top: Open
Bottom: Closed
Dustproof: No

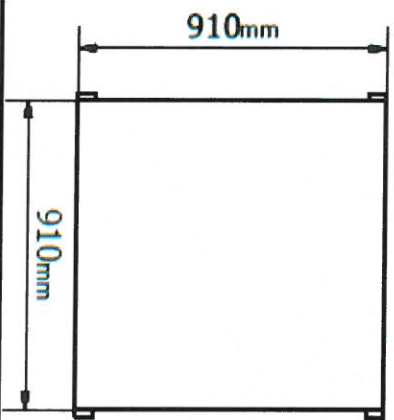
Lift style 4 loops, 35cm
Liner: No
Document pocket: Yes, A4
Print: No
Suitable for food: No

Otherwise:
Body fabric: Polypropylene
Loop material: Polypropylene
Yarn: Polypropylene
Document pocket material: Polyethylene

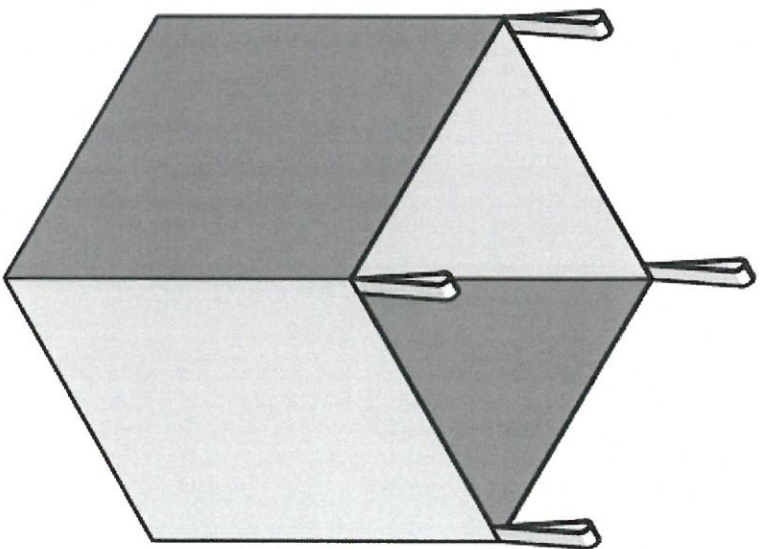
® Specification on big bags cannot be handed over to a third party without written permission from Bluepack A/S



Top



Bottom



| | | | | |
|----------------------------------------------------------------------------------------------------------------|------------------------------|--------------------------|--------------------------|----------------------------|
| BLUEPACK A/S Havnegade 5-9 5100 Odense C Telefon: 66 11 59 32 Fax: 66 11 83 58 info@bluepack.dk | Rev.: Sheet: 1/1 | Sheet size: A4 | Created by: KK | Date: 27-10-2015 |
| | Item Number: 31333 | | Checked by: | Date: |



Material:
Polypropylene