

## Specification big bags

### Stock bags

Date 29.10.2015  
Our article no.: 30995i

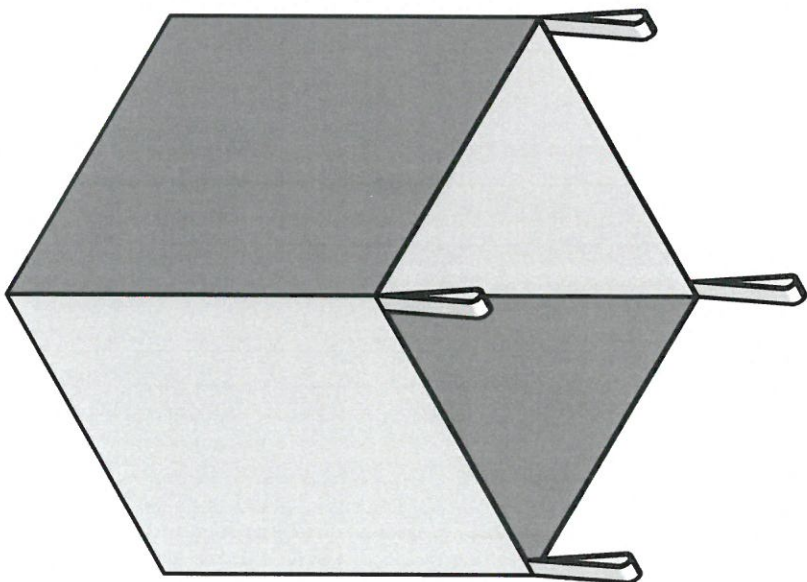
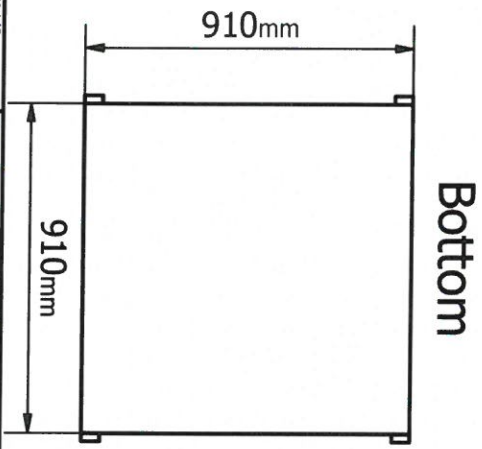
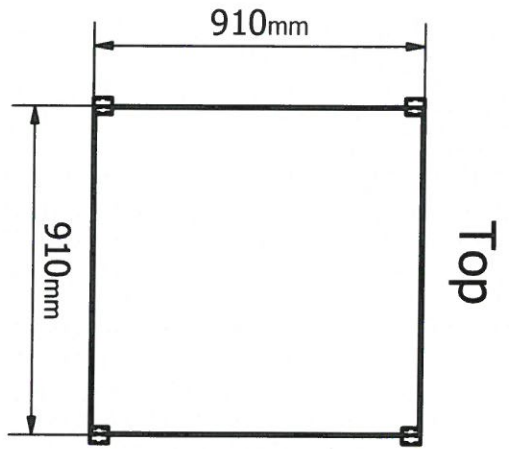
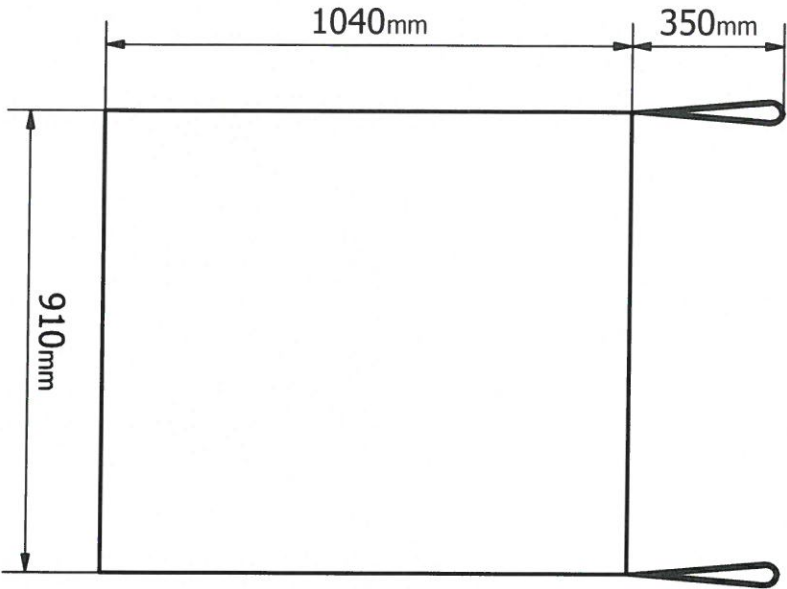
In compliance with ISO 21898

Classification: Type A  
SWL: 1500 kg  
SF: 5:1  
UV: Yes  
Outer size: 91x91x104cm  
Fabric: Coated  
Top: Open  
Bottom: Flat  
Dustproof: No

Lift style 4 loops, FH 35cm  
Liner: No  
Document pocket: Yes, A4  
Print: No  
Suitable for food: No

Otherwise:  
Body fabric: Polypropylene  
Loop material: Polypropylene  
Yarn: Polypropylene  
Document pocket material: Polyethylene

® Specification on big bags cannot be handed over to a third party without written permission from Bluepack A/S



<b>BLUEPACK A/S</b> Havnegade 5-9 5100 Odense C Telefon: 66 11 58 32 Fax: 66 11 83 58 info@bluepack.dk		Rev.: Sheet: 1 / 1	Sheet size: <b>A4</b>	Created by: <b>KK</b>	Date: <b>11-11-2012</b>
<b>BLUEPACK</b> TEXTIL - PLAST & LAMINAT		Item Number: <b>30995</b>	Material: <b>Polypropylene</b>	Checked by:	Date: